



RELEASE DATE: 31.08.2023

EFFECTIVE DATE: 31.08.2023

NOTICE ID: 2307

SERVICE BULLETIN NO. 2307

SUBJECT:

Stabilizer pins

AFFECTED PRODUCT:

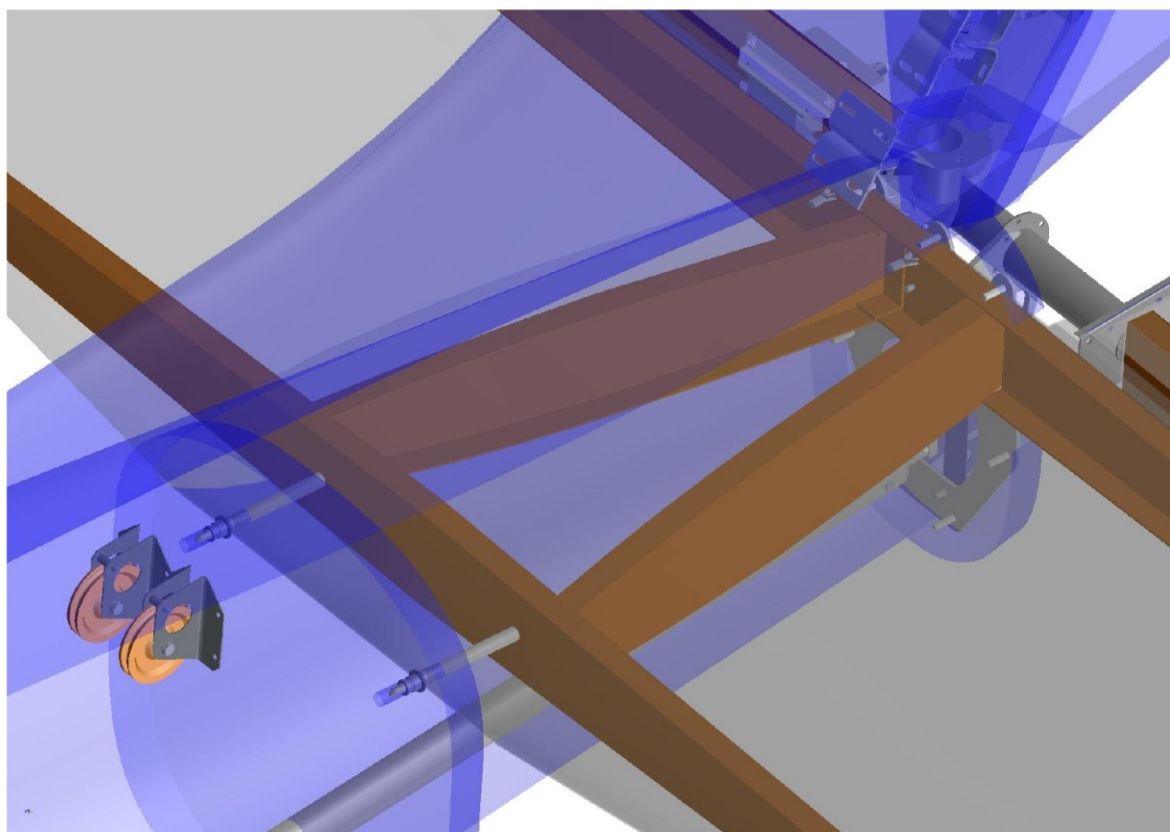
Legend 540 and Legend 600 / L600

COMPLIANCE:

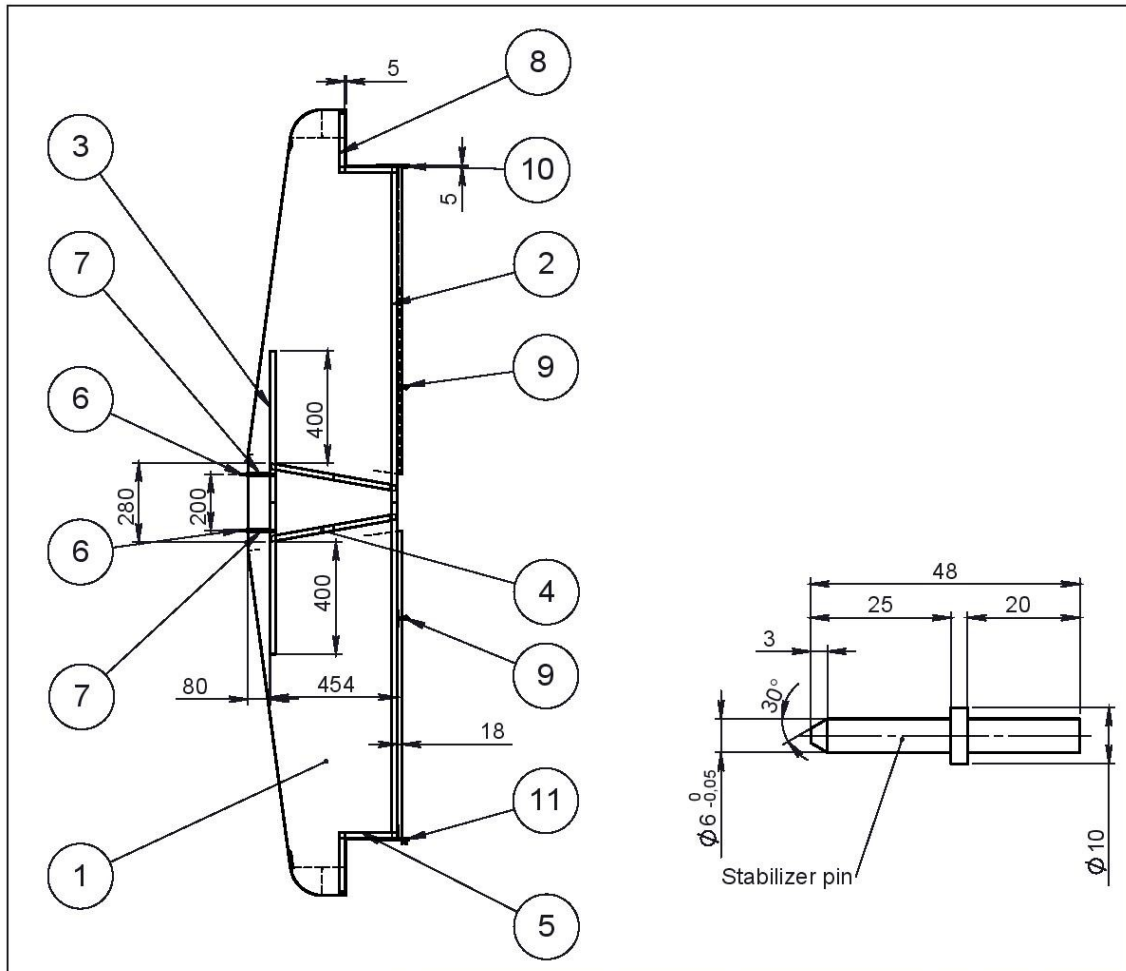
Mandatory

INSTRUCTIONS:

Due to the possibility of fatigue damage of stabilizer connection pins, it is necessary to check the pins in Legend 540 and Legend 600 / L600 aircraft. The connection diagram of the stabilizer pin is on the next page.



Elevator



Pos.	Name	Drawing - standard	Dimension	units	quantity	Note
1	Stabilizer surface	C182-4-0014		ks	1	
2	Stabilizer main spar	C182-4-0015		ks	1	
3	Leading edge spear-stabilizer	C182-4-0016		ks	1	
4	Stabilizer rib	C182-4-0017		ks	2	
5	Stabilizer end rib	C182-4-0012		ks	1	
6	Stabilizer pin	C182-2-0284	KR10 - 48	ks	2	
7	Stabilizer hinge pin bushing	C182-2-0285-1	TR10x2 - 100	ks	2	
8	Vertical stabilizer end rib	C182-4-0012		ks	1	
9	Elevator attachment	C182-1-0062-2		ks	2	
10	Elevator external attachment	C182-1-0019-2		ks	1	
11	Elevator external attachment	C182-1-0019-2		ks	1	

Pos.	Name	Product	Material	2.86	KG	Drawing number	Pcs.
<p>Note Bonding C:\Users\Legend\Desktop\</p>							
 <small>INŽENÝRSKÉ PROJEKTY Jeníkovská 1815, Čáslav tel: 327 312 630 fax: 327 371 352</small>		Designer:	Date: 19.12.2024	Scale: 1:20	Name: Stabilizer	Drawing Number: C182-4-0018-EN	