



SERVICE BULLETIN NO. 2308

SUBJECT:

Stabilizer pins

AFFECTED PRODUCTS:

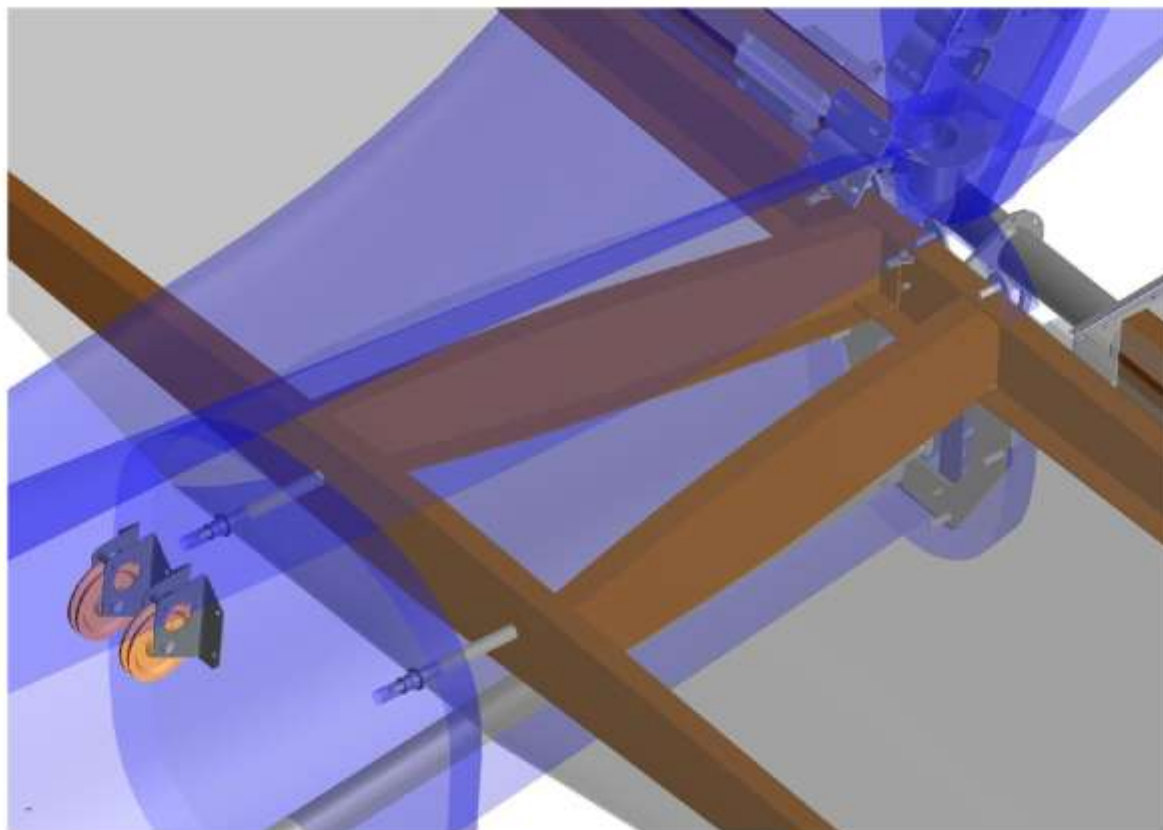
Legend 540 and Legend 600 / L600

COMPLIANCE:

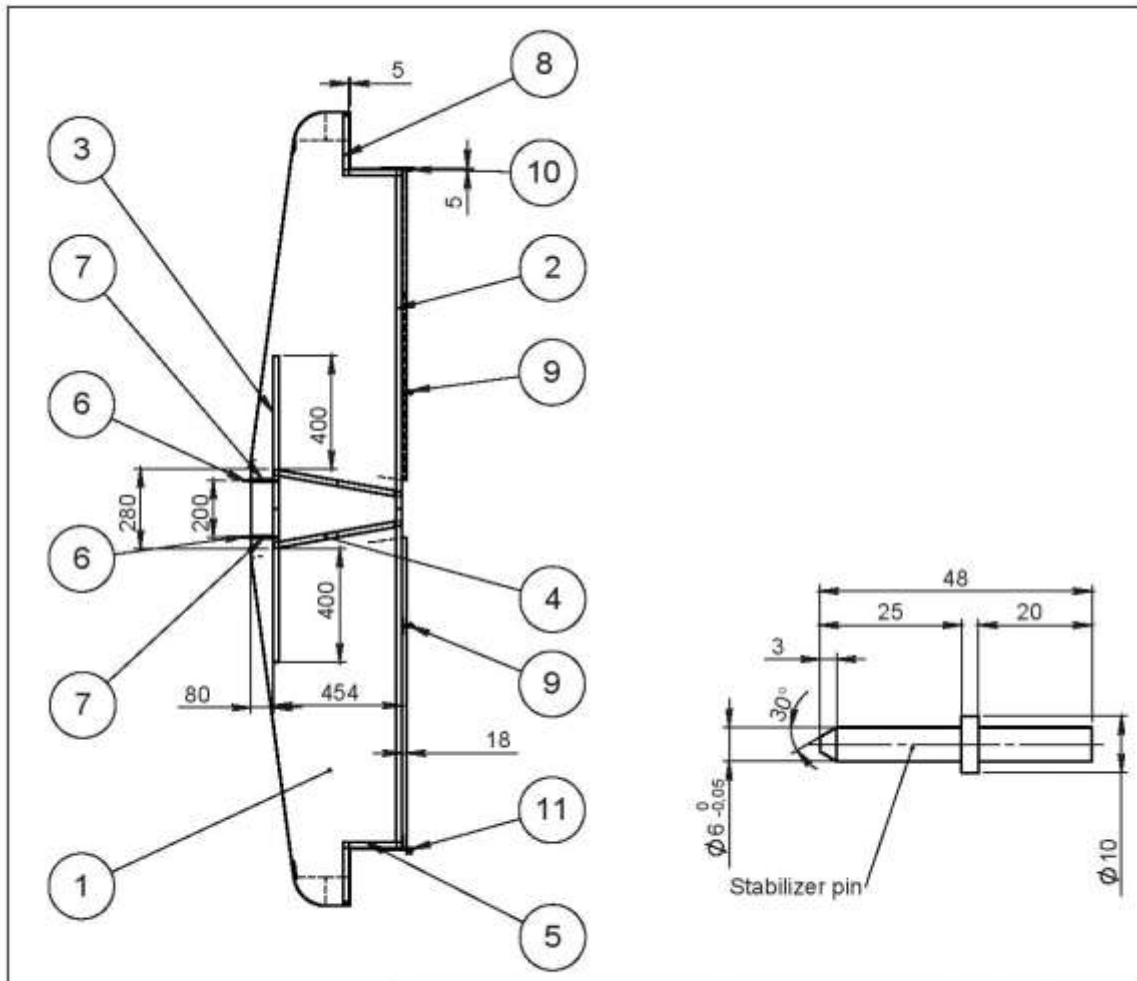
Mandatory

INSTRUCTIONS:


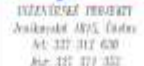
Due to the possibility of fatigue damage to the stabilizer connecting pins, it is necessary to check the stabilizer pins on the Legend 540 and Legend 600 / L600 aircraft. The stabilizer pin connection diagram is on the next page. No further checks are required, except to confirm the tight fit of the stabilizer assembly to the airframe as part of the Pilot's normal pre-flight.



Elevator



Pos	Name	Drawing - standard	Dimension	units	quantity	Note
1	Stabilizer surface	C182-4-0014		ks	1	
2	Stabilizer main spar	C182-4-0015		ks	1	
3	Leading edge spear-stabilizer	C182-4-0016		ks	1	
4	Stabilizer rib	C182-4-0017		ks	2	
5	Stabilizer end rib	C182-4-0012		ks	1	
6	Stabilizer pin	C182-2-0284	KR10 - 48	ks	2	
7	Stabilizer hinge pin bushing	C182-2-0285-1	TR10x2 - 100	ks	2	
8	Vertical stabilizer end rib	C182-4-0012		ks	1	
9	Elevator attachment	C182-1-0062-2		ks	2	
10	Elevator external attachment	C182-1-0019-2		ks	1	
11	Elevator external attachment	C182-1-0019-2		ks	1	

				2.86		
Pos.	Name	Product	Material	KG	Drawing number	Pcs.
 Note Bonding C:\Users\Legend\Desktop\						
 INŽENÝRSKÉ ZODPORNÉ AEROPILLOT s.r.o. (súčasť) Ad: 337 337 600 IČO: 315 371 332		Designer:	Date: 19.12.2024	Scale: 1:20	Name: Stabilizer	Drawing Number: C182-4-0018-EN